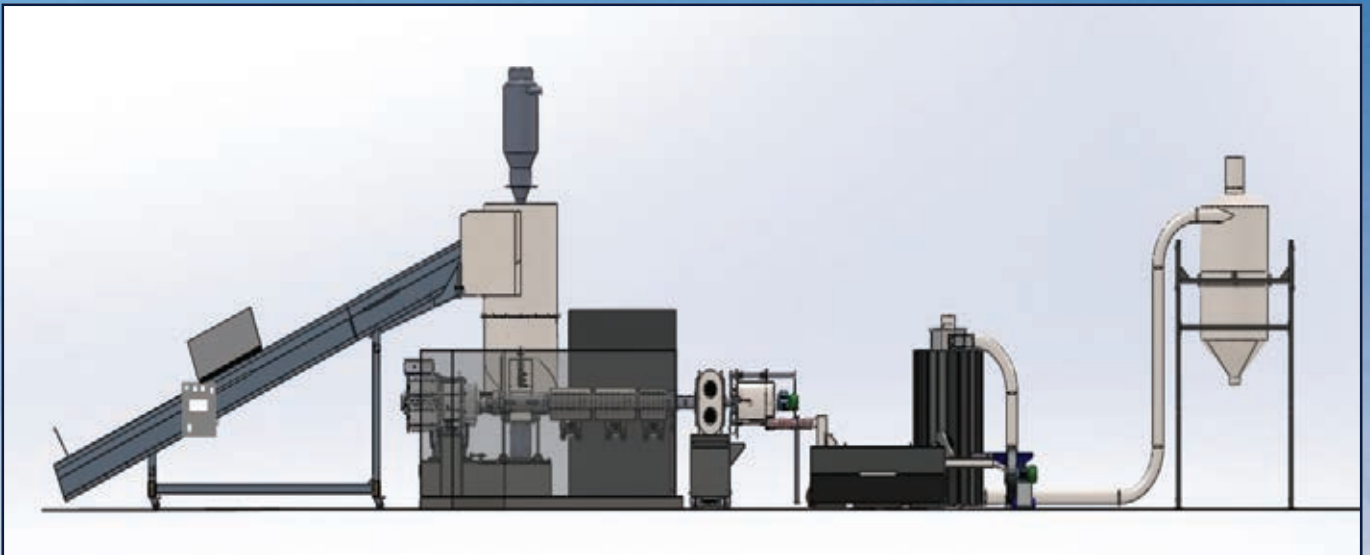
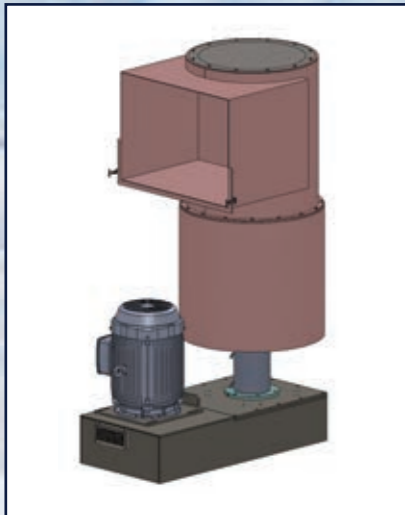
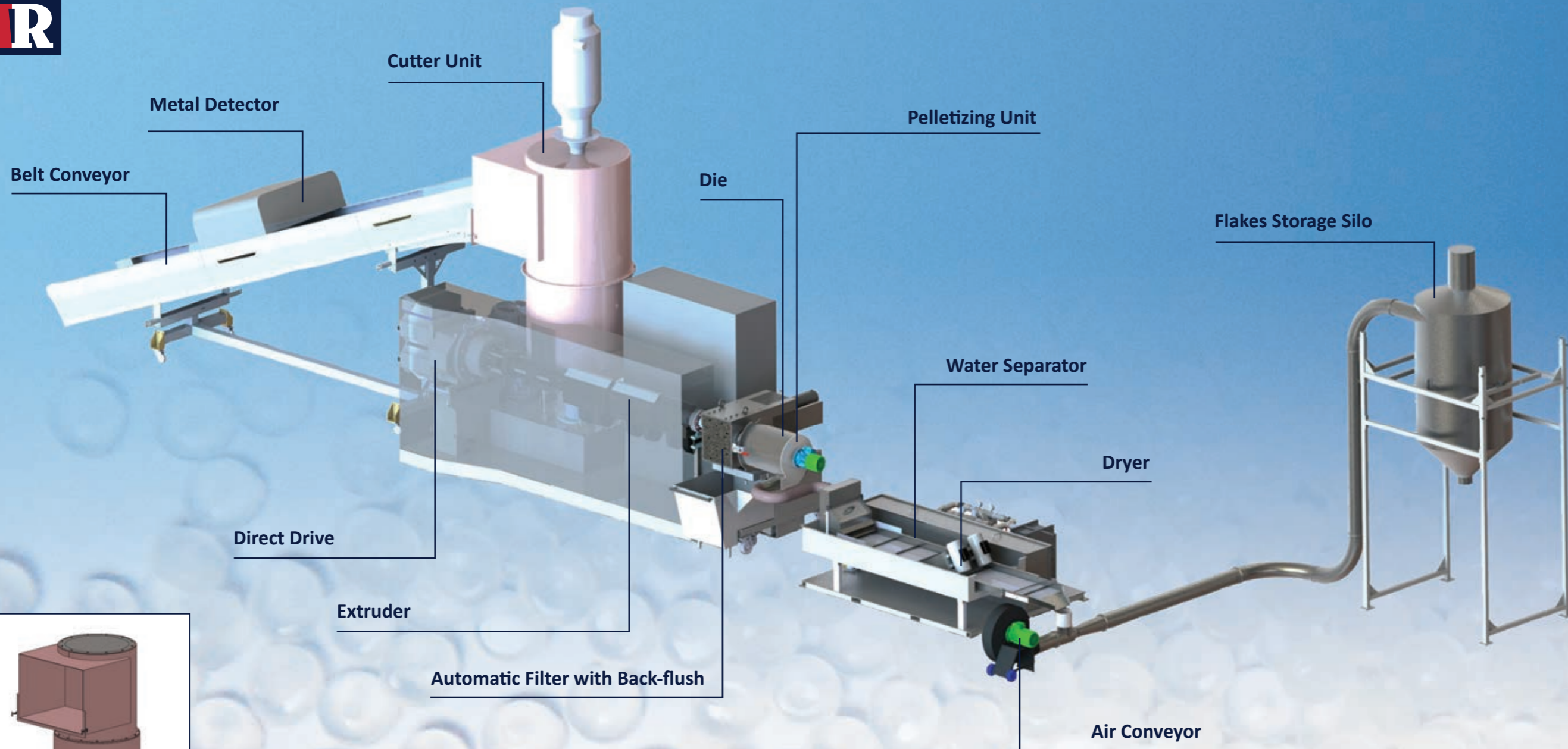


MARCHANTE RECYCLING

*Your efficient
partner
for plastic recycling*



MR



Cutter Unit

- High efficiency for reduction and densification before extrusion
- Capacity according to the production line
- Knives made of special material for long life production



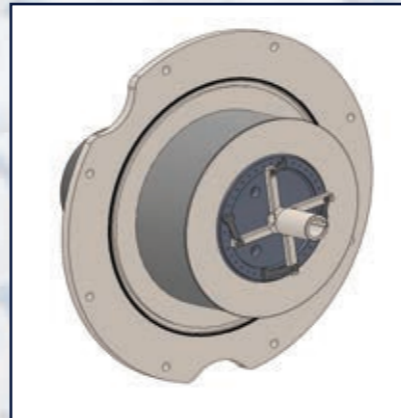
Extruder

- Updated and special screw design for:
- High production
 - High quality mixing and homogenization
 - Low melt temperature
 - Less degradation
 - Products flexibility operation



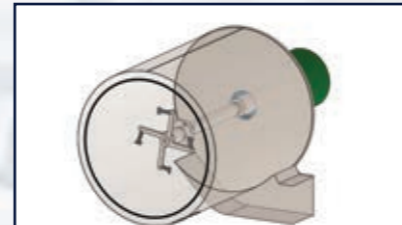
Automatic Filter

- Integrated backflush
- Low loss of material by optimized flow design
- Low pressure by generous dimensioning of open filter surface



Die

- Flow design for excellent temperature control
- Easy die change for different production types



Pelletizer

- Easy access for knives maintenance, knives change and cleaning
- Waterring pelletizing
- Strand pelletizing
- Automatic strand pelletizing
- Under water pelletizing



Water separation and drying

- High water flow for high cooling efficiency
- Automatic water temperature control for production's homogeneity
- Simple water cleaning during operation by filtering system



Flakes Storage silos

- Up to 50 m3
- Conveying system included on demand



RANGE OF MACHINES

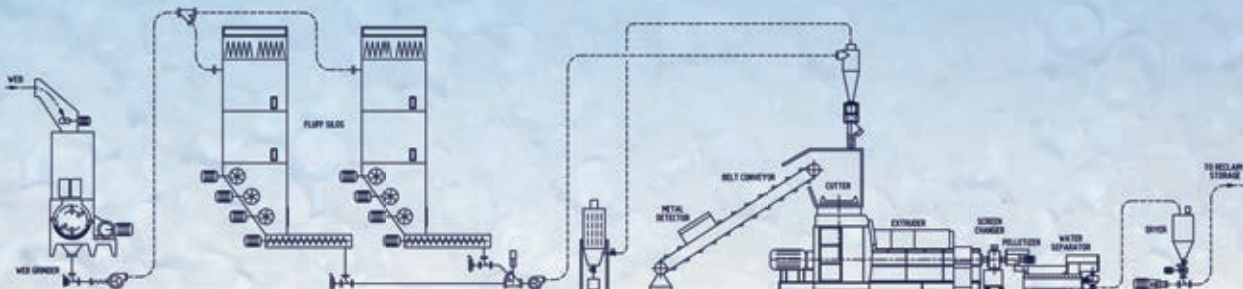
Machine	Production	Drive power	
		Cutter	Extruder
MR-60	up to 200kg/h	30 kW	30 kW
MR-80	up to 450kg/h	55 kW	65 kW
MR-100	up to 650kg/h	90 kW	110 kW
MR-120	up to 900kg/h	110 kW	132 kW
MR-140	up to 1200kg/h	132 kW	160 kW
MR-160	up to 1600kg/h	160 kW	250 kW
MR-180	up to 2000kg/h	200 kW	310 kW

Degassing	PP	BOPP	LDPE	LLDPE	HDPE	EVA	PET	BOPET	PS	PA	ABS
Without	X	X	X	X	X	X			X		
Single	X		X	X	X	X			X	X	X
Double	X		X	X	X						X
High Performance							X	X			

ASK FOR COMPLETE PACKAGE !

MARCHANTE is proposing complete turnkey solution including:

- Grinder
- Conveying system from grinder to fluff silos
- Fluff silos
- Conveying system from Fluff silo to recycling machine
- Recycling machines
- Conveying system from Recycling Machine to Raw material silos



MARCHANTE SAS

525, rue de la déserte - 73800 ARBIN – France

Tel : +33 625 80 18 15 - Email : pierre.villa@marchante.fr

www.marchante.fr